

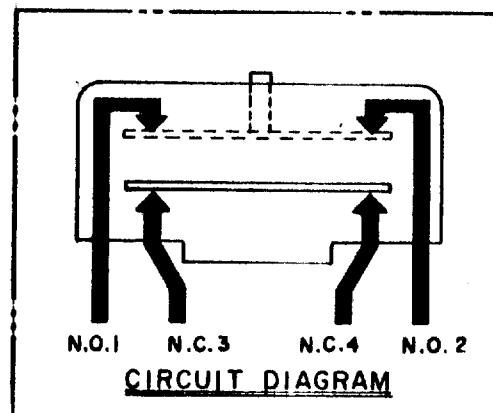
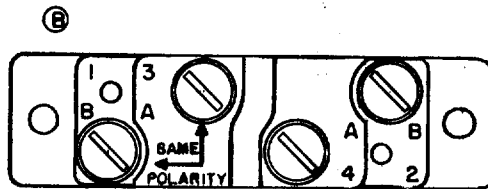
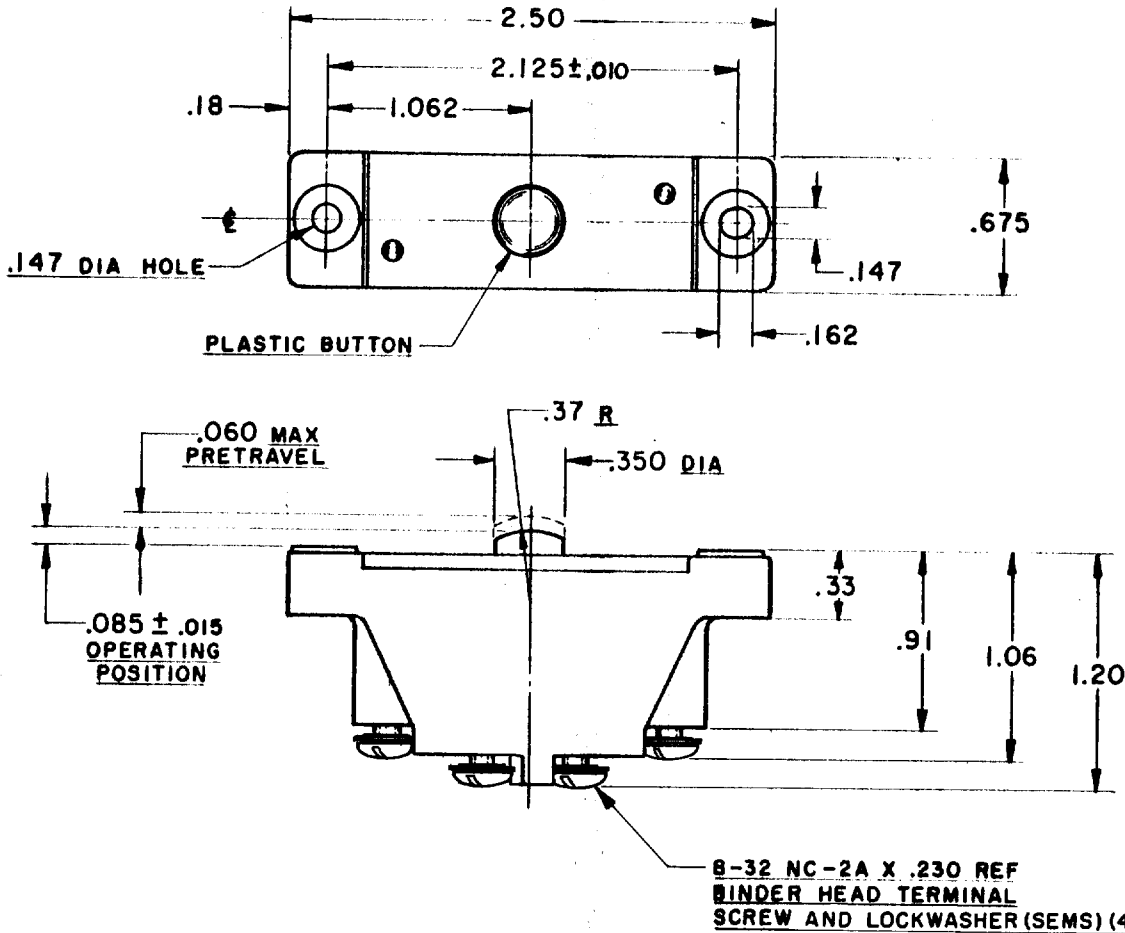
MICRO SWITCH

A DIVISION OF MINNEAPOLIS-HONEYWELL REGULATOR COMPANY
PREEPORT, ILLINOIS

FED. MFR. CODE 91929

SWITCH - BASIC

CATALOG LISTING
3MN6



NOTE-
1- MOUNTING HOLES WILL ACCEPT PINS OR SCREWS OF .139 MAX DIA ON 2.125 ± .005 CENTERS

THIS DRAWING COVERS A PROPRIETARY ITEM AND IS THE PROPERTY OF MICRO SWITCH, A DIVISION OF MINNEAPOLIS-HONEYWELL REGULATOR CO. THIS DRAWING IS NOT TO BE COPIED OR USED WITHOUT THE APPROVAL OF MICRO SWITCH.

CHARACTERISTICS

OPERATING FORCE----- 7-11 OZ
RELEASE FORCE----- 4 OZ MIN
DIFFERENTIAL TRAVEL----- .015-.025
OVERTRAVEL----- .080 MIN

ELECTRICAL DATA

CONTACT ARRANGEMENT
SEE CIRCUIT DIAGRAM
UL RECOGNIZED - FILE E22779
15 A-120, 240, 480, OR 600 VAC
1/2 HP-120 VAC; 1 HP-240 VAC
0.8 A-115 VDC; 0.4 A-230 VDC
PILOT DUTY RATING: 600 VAC MAX

SCALE FULL

DO NOT SCALE PRINT

UNLESS OTHERWISE SPECIFIED
DIMENSIONS ARE IN INCHES
TOLERANCES ARE:
ONE PLACE (.0) ±.030
TWO PLACE (.00) ±.015
THREE PLACE (.000) ±.005
ANGLES ±

WEIGHT



3MN6

M

DRAWING NUMBER

X 2

X 5

ISSUE

X 5

REPLACES

RELEASE NO. SR 8314

CHECK

A

SR 8314

M B F

24 JUNE 59

B

CORR

L M H

AUG 59

C

CO 15776

K L B

APR 61

D

CO 39150

W L W

6 SEPT 77

CHECK

J S K

9 APR 59

CHECK

G C H

24 JUN 59

CHECK

R E R

9 APR 59

DRAWN